

| ITEM | SIZE | SUGGESTED FUNCTION |
|------|-------|--------------------|
| A | SMALL | LIFTING LUG |

TANK SPECIFICATIONS
MATERIAL: 12GA.

| PRODUCT CODE | GALLONS | DESCRIPTION | OVERALL SIZE | SHIP WT. |
|---------------|---------|----------------------|-----------------------------|----------|
| ODAA1500SS500 | 500 | UL-142 OPEN TOP DIKE | 6'-6" L X 4'-1" W X 3'-2" H | 350 LBS. |

CUSTOMER NAME: _____

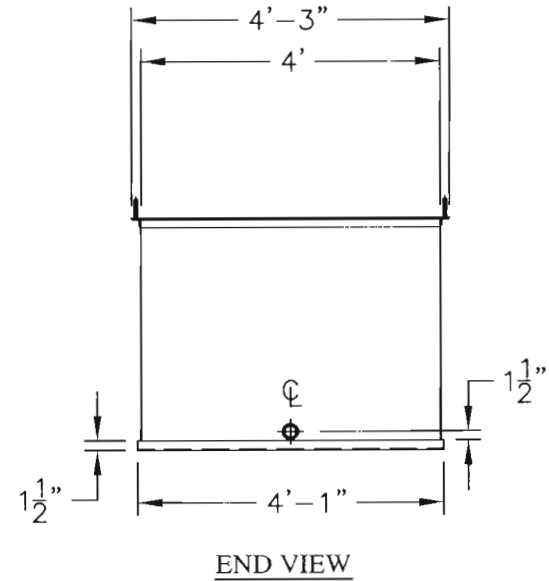
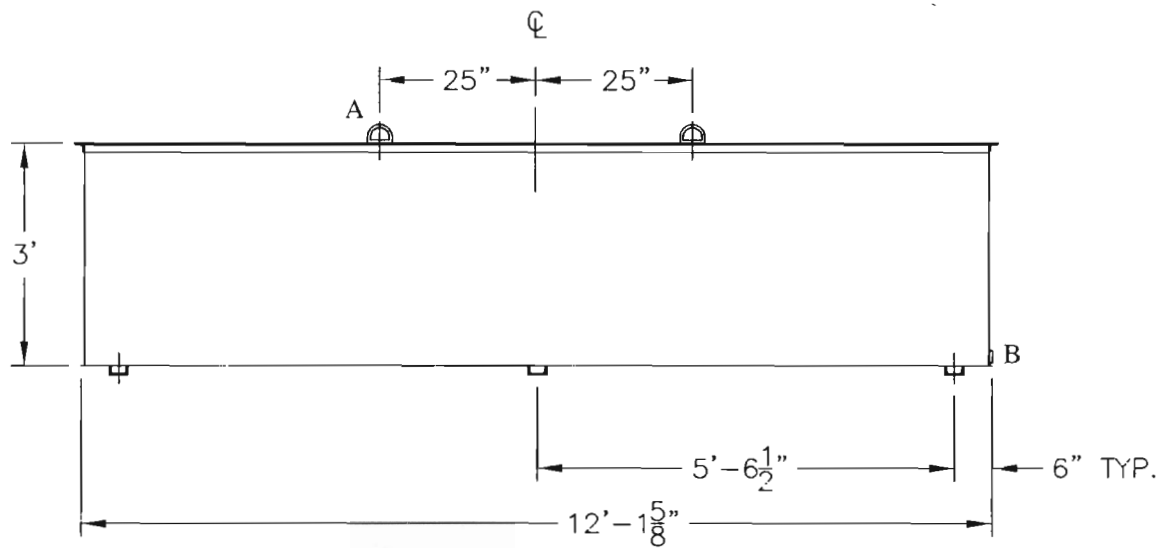
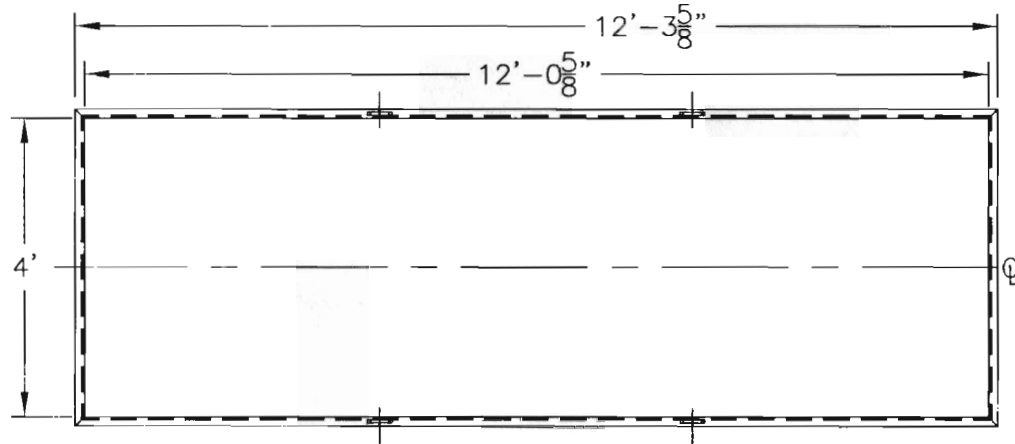
APPROVED BY: _____ DATE: _____

DATE DRAWN: 03-05-01

DWG NUMBER: 5200515 SCALE: 1=24

REV: _____ REV BY: _____ DATE: _____ SHEET: 1 OF 1

| ITEM | SIZE | FUNCTION |
|------|-------|---------------------------|
| A | SMALL | LIFTING LUG(TYP. 5 PLCS.) |
| B | 1" | DRAIN |



- APPROVED AS SHOWN
- REVISIONS AS INDICATED
- DISAPPROVED

SIGN:
DATE:

PRODUCT CODE: ODA1980S8500

U/L LISTING:
U/L-142

SHT:
1 OF 1

DATE:
04-11-00

REVISION:
A INITIALS:
DAR

DATE:
04-13-00

DRAWING #:
DH0608

SCALE:
1:32

DESCRIPTION:
980 GALLON
DIKE (CYLINDRICAL
SKID TANK)